

MS101III, MSP3

Powered Desktop Monitor

MS101III



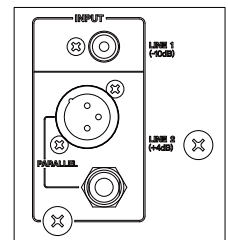
Rear Panel



MSP3



MSP3 Rear Panel



A compact, convenient approach to high quality monitoring.

- Compact use-anywhere desktop monitor dimensions.
- 10-cm full-range speaker driven by a 10-watt power amplifier delivers surprisingly big, high-quality sound.
- Three inputs offer connection and setup versatility for a variety of applications: mic x 1 (phone), line x 2 (phone & RCA pin).
- Tone control (high/low).
- Line output allows addition of an external speaker.
- Options for convenient stand or wall mounting (sold separately).

OPTIONS

BCS20-150/210

Ceiling Bracket



BWS20-120/190

Wall Bracket



BMS-10A

Mic Stand Adaptor



BAS-10

Free-Angle Clamp



MS101III, MSP3

GENERAL SPECIFICATIONS

MODEL	MS101III
Type	Bass-reflex powered speaker
Frequency response	75Hz to 18kHz
Sensitivity	97dB SPL (1m, 10W)
Power consumption	30W
Dimensions (W x H x D)	147 x 214 x 192mm (5.8" x 8.4" x 7.6")
Weight	2.5kg (5.5lbs)

SPEAKER SECTION

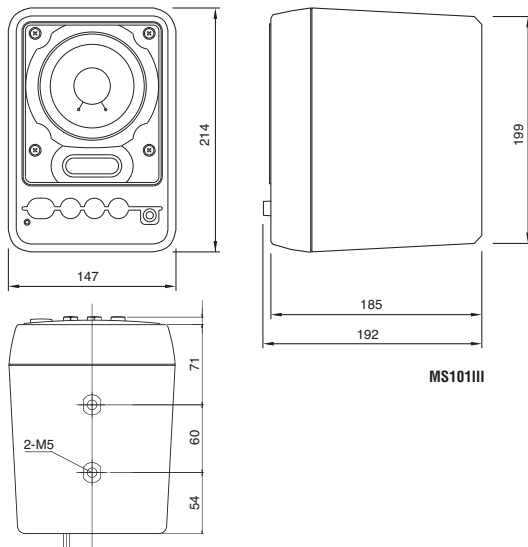
MODEL	MS101III
Components	10cm cone x 1
Nominal impedance	4Ω

AMPLIFIER SECTION

MODEL	MS101III
Output power	10W (@1kHz, THD=0.5%, RL=4Ω)
Input terminal	MIC input: Phone jack** (-45dB, 2kΩ) LINE input1: RCA pin jack** (-10dB, 10kΩ) LINE input2: Phone jack** (-10dB, 10kΩ)
Output terminal	LINE OUT: Phonejack** (-10dB, 600Ω)
Control	VOLUME, Tone control (Low/High)

DIMENSIONS

unit : mm



SPECIFICATIONS

MODEL	MSP3
GENERAL	GENERAL
Type	2-way, Powered speaker
Crossover Frequency	4.0kHz
Overall Frequency Response	65Hz to 22kHz (-10dB)
Maximum Output Level	98dB, 1m on Axis
Dimensions (W x H x D)	144 x 236 x 167mm (5.7" x 9.3" x 6.6")
Weight	4.4kg (9.7lbs)
Magnetic Shielding	Yes
Speaker Section	Speaker Section
Components	LF 10cm cone HF 2.2cm dome
Enclosure Type	Bass-reflex type
Amplifier Section	Amplifier Section
Output Power *	LF 20W at 1kHz, THD=0.1%, RL=4Ω HF ≥95dB
S/N, IHF-A filter	XLR 3-31 -10dB/Line1: (RCA phone**) +4dB /Line2: (XLR3-31*, Phone, parallel)
Input Sensitivity	PHONE Line1: (RCA phone**), 10kΩ Line2: (XLR3-31*, Phone, parallel), 10kΩ
Input Connectors, Impedance	
Output Connectors	-
Controls	Level Control Levelcontrol for Line1 & Line2 LOW CUT Switch - HIGH TRIM -3.0dB to +3.0dB at 10kHz LOW TRIM -3.0dB to +3.0dB at 100Hz POWER Switch on/off PHASE Switch - LPF control -
Indicators	LED Green LED
Power Consumption	30W

* These specifications apply to rated power supplies of 100, 120, 230 and 240 V.

* Specifications and appearance subject to change without notice.

DIMENSIONS

